

Asymmetric Flood Lights

Specifications:

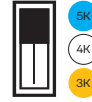
AAFL100W3T Q5150200
AAFL150W3T Q5150220
AAFL200W3T Q5150240



Rated



Rated



3 CCT Switches



Vibration

This luminaire, constructed with high-quality heavy-duty components, has passed the rigorous 3G vibration test, ensuring exceptional durability and reliability in demanding environments

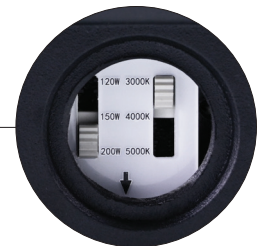


**5 YEARS
WARRANTY**

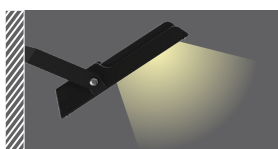
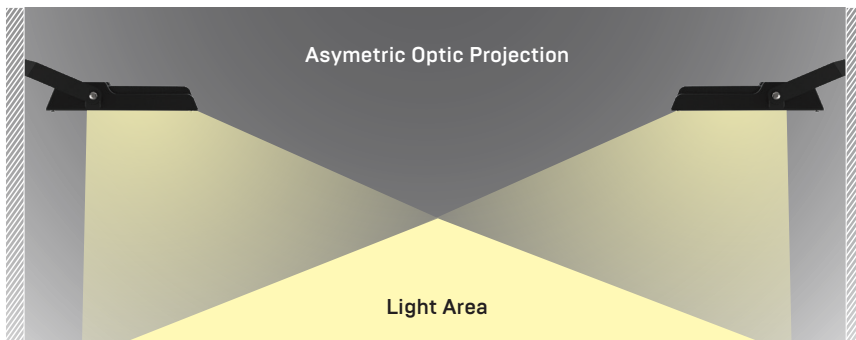
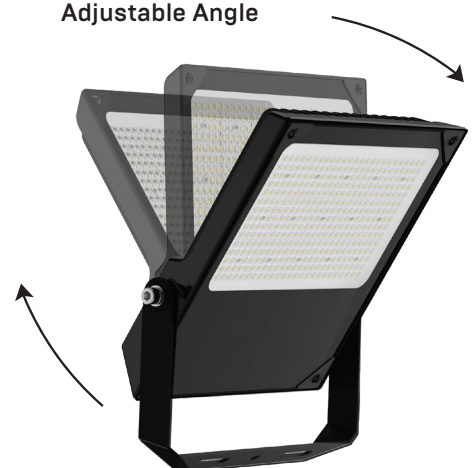


Vapour
Breath

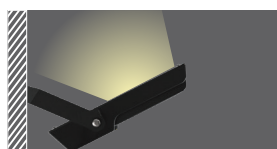
Power Select
& CCT Switch



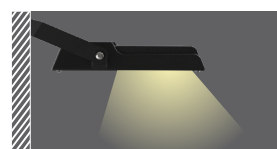
Adjustable Angle



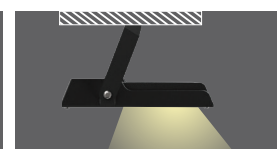
Wall Mounting - Tilt



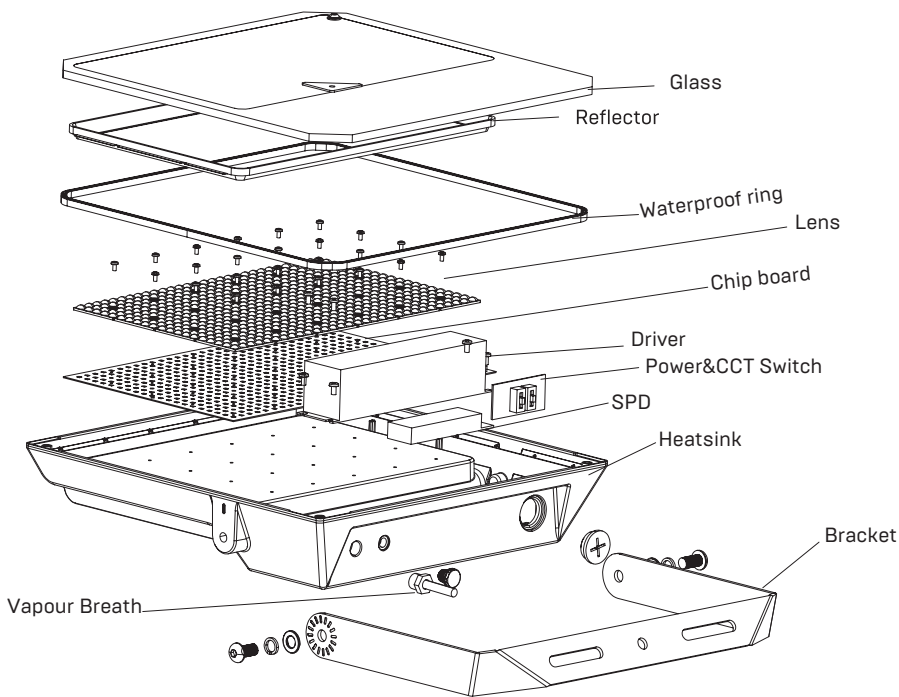
Wall Mounting - Upward



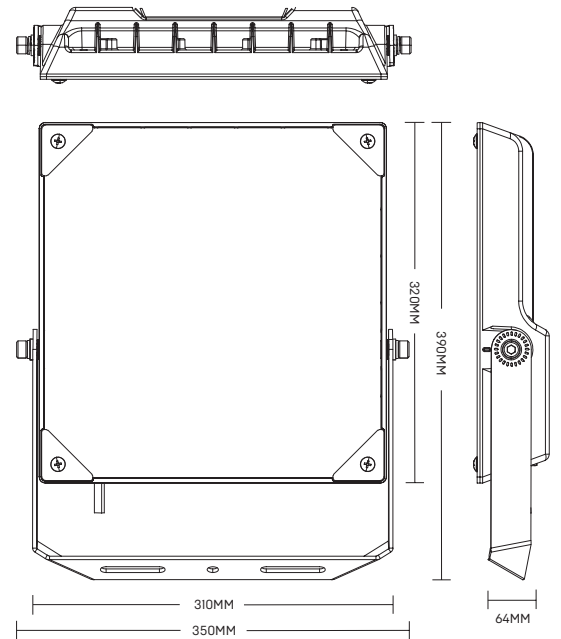
Wall Mounting - Downward



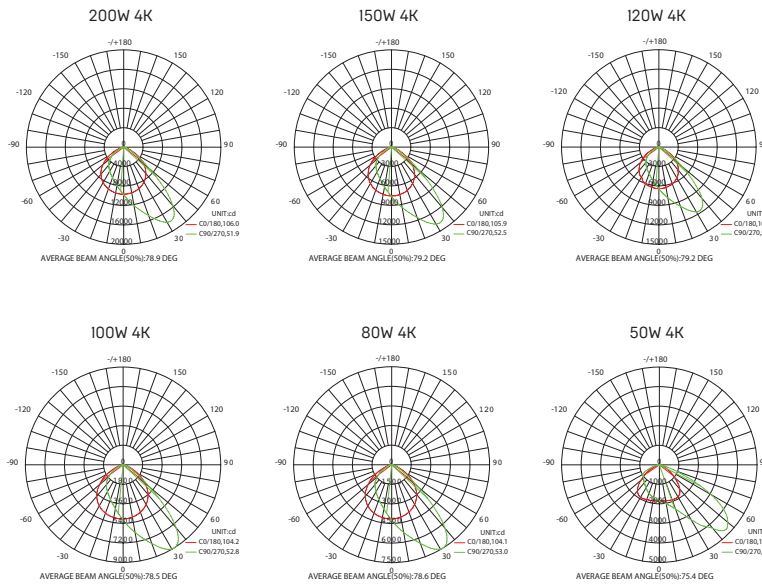
Ceiling Mounting



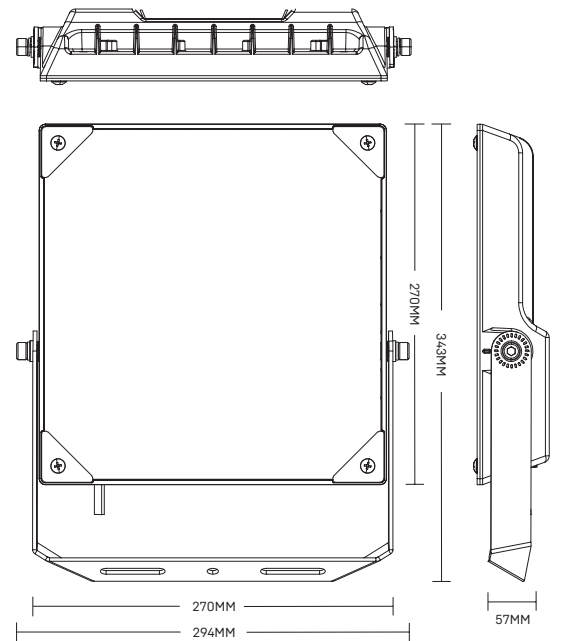
AAFL200W3T & AAFL150W3T



Luminous Intensity Distribution Diagrams



AAFL100W3T



Model	Wattage	Lumens	Efficacy	CCT	CRI	Beam Angle	IP	IK	Estimated Life
AAFL100W3T	100/80/50W	14,000/12,000/7,000	140l/w	3/4/5K	80	Asymetric 47/92	66	8	51,000 hours / L90
AAFL150W3T	150/120/100W	21,000/16,800/14,500	140l/w	3/4/5K	80	Asymetric 47/92	66	8	51,000 hours / L90
AAFL200W3T	200/150/120W	28,000/22,500/18,000	140l/w	3/4/5K	80	Asymetric 47/92	66	8	51,000 hours / L90

Model	Warranty	Voltage	Material	Size	Weight	Salt Spray
AAFL100W3T	5YR	100-277V ~AC 50-60Hz	Aluminium + Glass + PC	294(l) x 57(w) x 343(h)mm	2.9	1000hrs
AAFL150W3T	5YR	100-277V ~AC 50-60Hz	Aluminium + Glass + PC	350(l) x 64(w) x 390(h)mm	4.2	1000hrs
AAFL200W3T	5YR	100-277V ~AC 50-60Hz	Aluminium + Glass + PC	350(l) x 64(w) x 390(h)mm	4.2	1000hrs