

AMBIUS

DUAL POWER BULKHEADS



PRODUCT & TECHNICAL INFORMATION

Models: ABHO3TC-B, Black Dual Power Bulkhead
ABHO3TC-W, White Dual Power Bulkhead

Supply: 220-240Vac ~ 50Hz

Wattage: 8/12W

Colour Temp: 3000K/4000K/6500K

IK Rating: IK08

Estimated Lifespan: 50,000hrs

Warranty: 1 Year

IP Rated: IP65

Lumen Output	8 Watts	12 Watts
3000K	650LM	1000LM
4000K	700LM	1100LM
6500K	700LM	1100LM

SAFETY WARNINGS

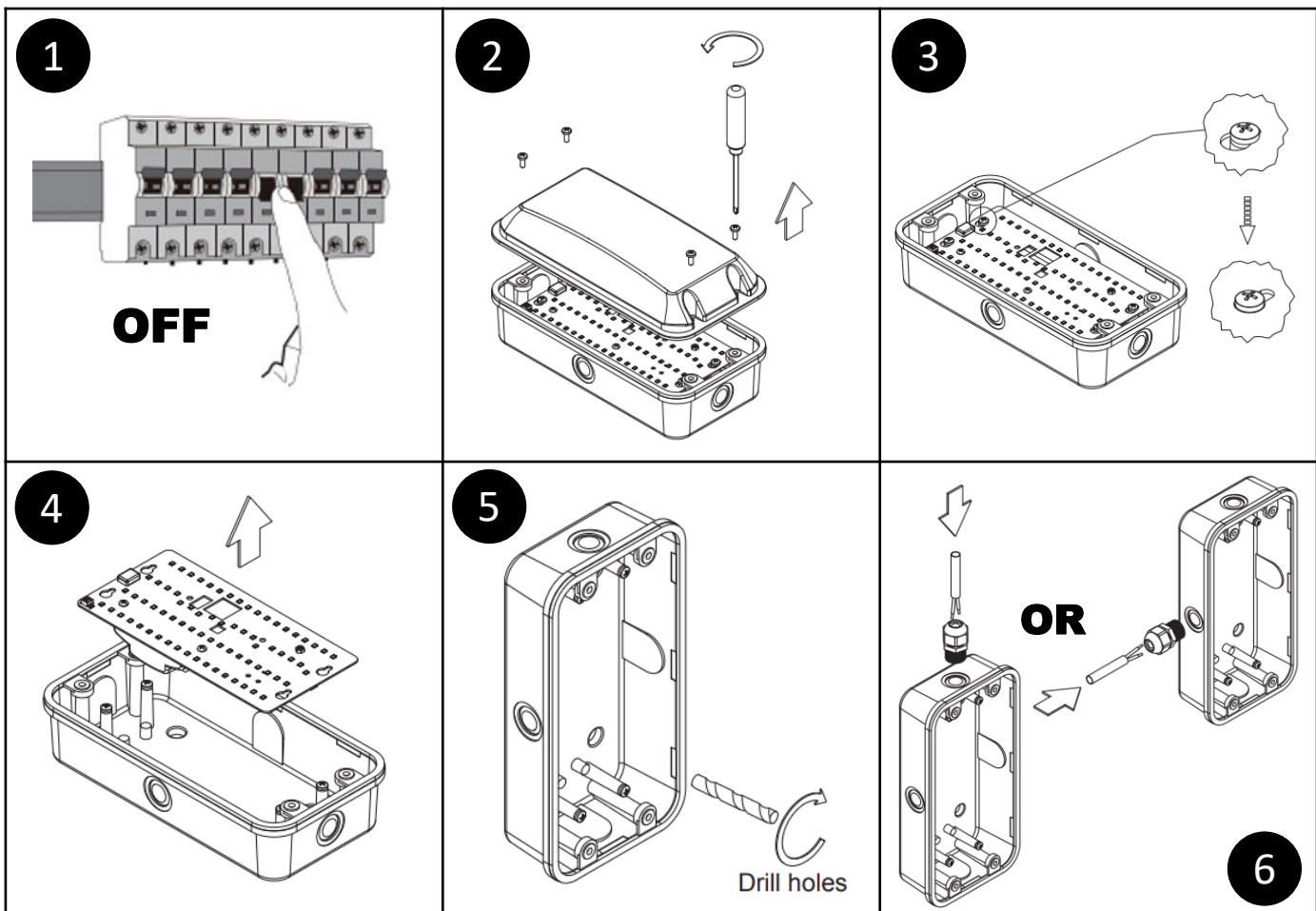
- Always read the instructions carefully before installation, failure to do this could result in damage to the product, property or harm to the installer.
- This product must be installed by a licensed electrician in accordance with the Australian / New Zealand Wiring Rules AS/NZS 3000.
- It is recommended that this product be used on a circuit board protected by an Earth Leakage Circuit Breaker or Safety Switch.
- Allow suitable ventilation around the light fitting and do not cover with any material.
- Do not immerse any part of the light fitting in water or any other liquids.
- Regularly inspect the light fitting to ensure that no damage has occurred, if damage is found cease use and replace.
- Do not attempt to modify this fitting in any way.
- The LED Driver and LED module is not replaceable.

INSTALLATION

Ensure power to the circuit is isolated for the duration of the installation.

Ensure all packaging materials are fully removed prior to installation.

1. Switch off the mains before commencing installation.
2. Remove the cover.
3. Loosen outer 4 screws and slide the plate until all screw are lined up with the holes.
4. Remove plate.
5. Mark appropriate drilling position and remove base to drill holes.
6. Use cable gland and thread cable through desired location.



INSTALLATION

7. Mount base to wall using 4 screws provided.

8. Connect and clamp TPS.

Please ensure that any connection made complies with New Zealand Electrical Wiring Rules AS/NZS 3000.

This product does not require an earth connection; however, the terminal 'E' can be used as an earth loop.

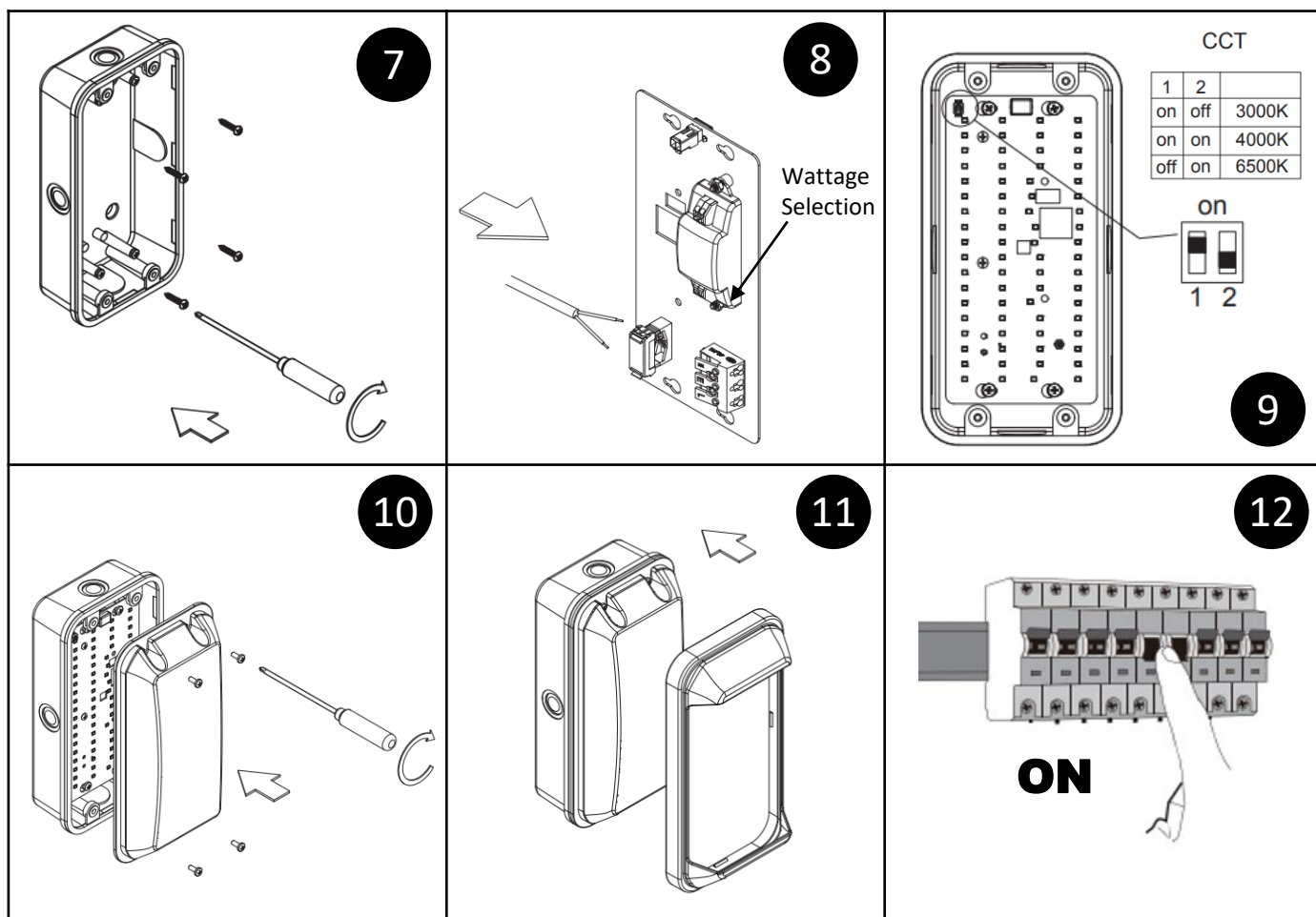
Select desired wattage.

9. Screw plate back onto base and select desired colour temperature.

10. Ensuring Rubber seal is in place and screw on cover.

11. Attach Fascia

12. Energise the circuit at the mains, your light should now turn on



CARE AND CLEANING

To clean wipe exterior with a damp cloth. Do not immerse in water.

PROOF OF PURCHASE

Please retain your purchase receipt for all warranty claims

WARRANTY

Your product is warranted against faults and manufacture when used in normal domestic use for a period of one year.

We undertake to replace this product at no charge if found to be defective due to a manufacturing fault during the warranty period. This warranty excludes damage caused by misuse, neglect, shipping accident, incorrect installation, or work carried out by anyone other than a qualified electrical service technician.

If your product fails to operate satisfactorily, please return it to the retailer from whom it was purchased to obtain a replacement product. You will need to produce satisfactory evidence of date of purchase. If the product is to be replaced (cannot be repaired) then that replacement will be of the same or similar product or accessory excluding packaging, instruction card etc.

In New Zealand product is covered by the Consumers Guarantee Act (1993). In accordance with the act consumers are advised that: The manufacturer does not undertake that repair facilities and parts are necessarily available for this product.

KEEP IN A SAFE PLACE FOR FUTURE REFERENCE

CDB  GROUP

New Zealand

PO Box 100-707

N.S.M.C

Auckland

Phone +64 (0)9 917 4000

Phone 0800 232 633

info@cdb.co.nz

Australia

PO Box 574

South Morang

Victoria, 3752

Phone +61 (0)3 9336 4423

Phone 1300 465 324

info@cdbgoldair.com.au