

# Installation & Owner Manual

AMBIUS CEILING / PENDANT LIGHT WHITE 1.2M 24W BLACK

# AMBIUS

## Product & Technical Information

**Model:** ACB24W1200-B

**Supply:** 220-240VAC 50Hz

**Wattage:** 24W

**Colour Temp:** 3000 / 4000k / 6000k

**Lamp:** Integrated LED

**Use:** Indoor Only

**Operating Position:** Horizontal surfaces or hanging pendant

### Safety Warnings

- Always read the instructions carefully before installation, failure to do this could result in damage to the product, property or harm to the installer.
- This product must be installed by a licensed electrician in accordance with the Australian / New Zealand Wiring Rules AS/NZS 3000.
- It is recommended that this product be used on a circuit protected by an Earth Leakage Circuit Breaker or Safety Switch.
- Allow suitable ventilation around the light fitting and do not cover with any material.
- Do not immerse any part of the light fitting in water or any other liquids.
- Regularly inspect the light fitting to ensure that no damage has occurred, if damage is found cease use and replace.
- Do not attempt to modify this fitting in any way.
- If the external cord of this luminaire is damaged, it shall be exclusively replaced by the manufacturer or its service agent or similar qualified person to avoid a hazard.
- The light source in this luminaire shall only be replaced by the manufacturer his agent or a similar qualified person.

### Installation Procedure

1. Ensure all packaging materials are fully removed prior to installation.
2. Ensure power to the circuit is isolated for the duration of the installation.
3. Select the appropriate mounting position, and run the wiring from the switch to this location (if required) NOTE: There are 2 mounting options with this light (hung as a pendant) or (surface mounted) There is hardware supplied for both options. Select the appropriate mounting style with enclosed pendant mounts or surface mounted clips.
4. Route the supply cable so that the wiring is able to connect to the terminal block.
5. Connect the wiring to a terminal block:
  1. Brown (Active) is connected to the contact marked 'A' or 'L'.
  2. Blue (Neutral) is connected to the contact marked 'N'
  3. Green (Earth) Is connected to the mounting screw.
7. Mount the pendant in its desired style and location.
8. Do not swap the LED Driver for any other model, it is specific to this integrated LED fitting.
9. Energise the circuit at the mains then turn the wall switch 'ON'.
10. Mount the pendant in its desired location.
11. Your light should now operate.

NOTE: This light has colour changing switch on the top of the unit. If mounting as a pendant you can change at any time. If service mounted you need to select colour changing temperature before mounting

### Care and Cleaning

- To clean wipe exterior with a damp cloth.

## Proof of Purchase

Please retain your purchase receipt for all warranty claims



### **WARRANTY**

Your product is warranted against faults and manufacture when used in normal domestic use for a period of one year.

We undertake to replace this product at no charge if found to be defective due to a manufacturing fault during the warranty period. This warranty excludes damage caused by misuse, neglect, shipping accident, incorrect installation, or work carried out by anyone other than a qualified electrical service technician.

If your product fails to operate satisfactorily, please return it to the retailer from whom it was purchased to obtain a repair or replacement product. You will need to produce satisfactory evidence of date of purchase. If the product is to be replaced (cannot be repaired) then that replacement will be of the same or similar product or accessory excluding packaging, instruction card etc.

In New Zealand product is covered by the Consumers Guarantee Act (1993). In accordance with the act consumers are advised that: The manufacturer does not undertake that repair facilities and parts are necessarily available for this product.

In Australia, our goods come with guarantees that cannot be excluded under the Australian Consumer Law. You are entitled to a replacement or refund for a major failure and compensation for any other reasonably foreseeable loss or damage. You are also entitled to have the goods repaired or replaced if the goods fail to be of acceptable quality and the failure does not amount to a major failure.

**New Zealand**  
PO Box 100-707  
N.S.M.C  
Auckland

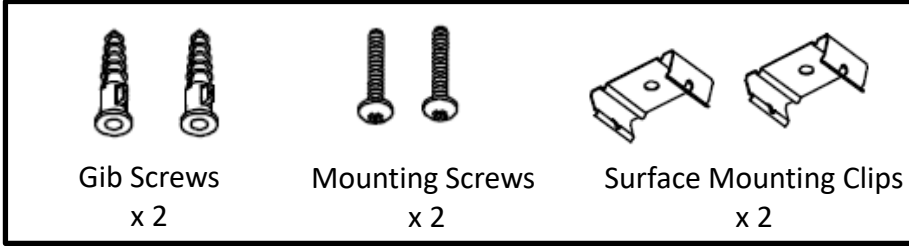
Phone +64 (0)9 917 4000  
Phone 0800 232 633  
info@cdb.co.nz

**Australia**  
PO Box 574  
South Morang  
Victoria, 3752

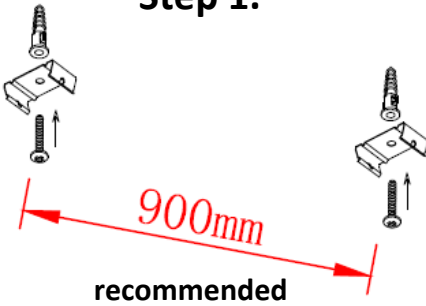
Phone +61 (0)3 9336 4423  
Phone 1300 465 324  
info@cdbgoldair.com.au

**Surface mounted recommended installation.**

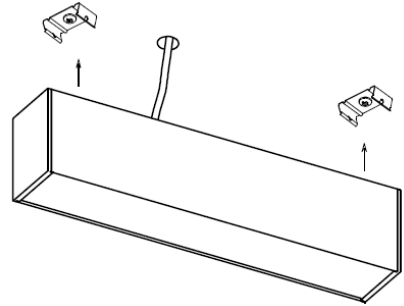
**Parts.**



**Step 1.**

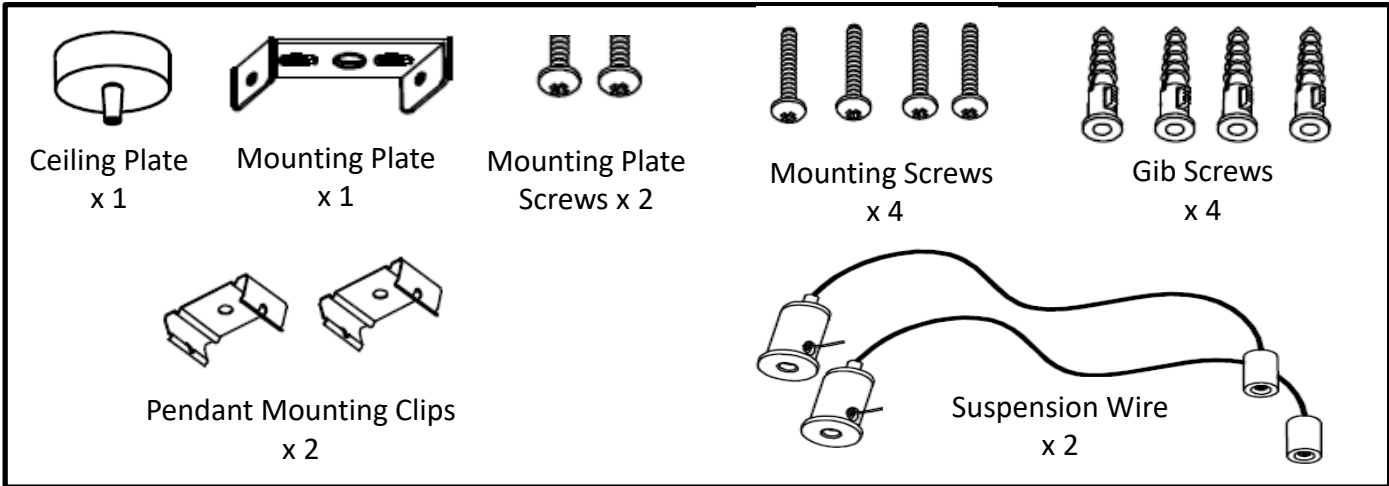


**Step 2.**

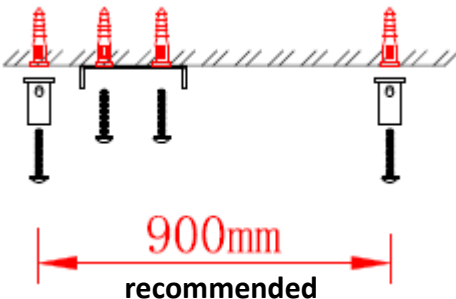


**Pendant mount recommended installation.**

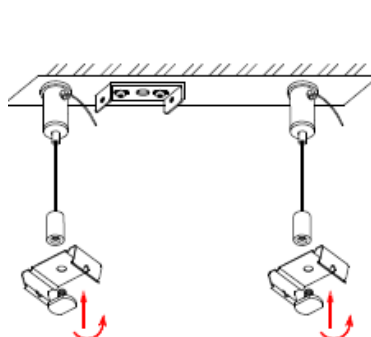
**Parts.**



**Step 1.**



**Step 2.**



**Step 3.**

