

AMBIUS

10W Downlight SPECIFICATION SHEET ADL103SRPC3T Q5071130

3K

4K

5K



LOW
GLARE



LUMINAIRE SPECIFICATION:

Model: ADL103SRPC3T

Power Output: 10 Watt

Lumens: 850-950

Adjustable Colour Temp:

3000K / 4000K / 5000K

Dimmable: Yes

Beam Angle 90 degrees

Cut-out: 90mm

Fascia: Recessed

Material: PC

IP Rating: IP44 parts outside the ceiling

Estimated Lifespan: L80 54,000hrs

Classification IC-F

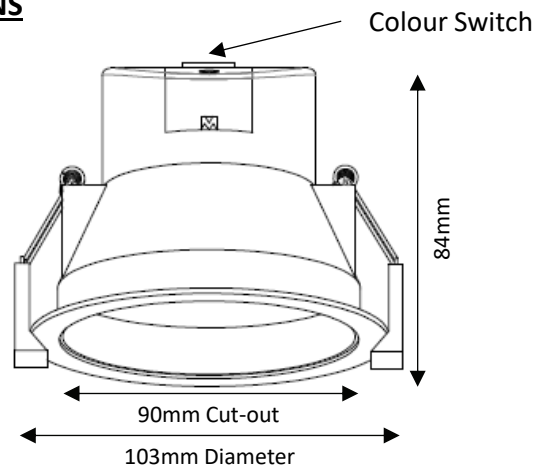
Input Voltage: 220-240Vac ~50/60Hz



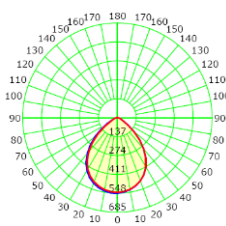
Double insulated

Installation Diameter: Not less than 90mm (refer fascia size for maximum coverage for retrofit installations)

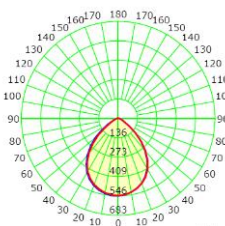
DIMENSIONS



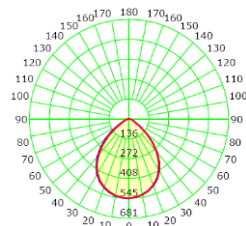
PHOTOMETRICS



3000K



4000K



5000K

— C0-C180

— C90-C270