

INSTALLATION & OWNER MANUAL

SEMI RECESSED DOWNLIGHT 103MM FASCIA

Model: ADL103SRPC3T - Q5071130

AMBIUS



SPECIFICATIONS

Power Input: 220-240V ~ AC 50/60Hz

Power Output: 10 Watt

Adjustable Colour Temp:

3000K / 4000K / 5000K

Lumens: 850-950LM

Light Type: Integrated LEDs (not replaceable) Dimmable

Installation Hole Diameter: Min 90mm
(refer fascia size for maximum coverage for retrofit installations)

Estimated Life: 54,000hrs/L80

Double Insulated

Ingress Protection:

IP44 (parts outside the ceiling)

IP20 (parts recessed in the ceiling)

CRI Rating: 90+

Beam Angle: 90 degrees

Material: PC

Use: Indoors

Operating Position:

Rigid Horizontal surface

Complies with: AS/NZS 60598-2-1

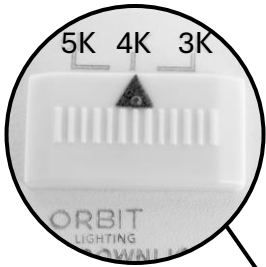


PLEASE READ AND UNDERSTAND ALL WARNINGS, CAUTIONS AND OPERATING INSTRUCTIONS IN THIS MANUAL BEFORE USING THIS EQUIPMENT. Failure to follow all instructions may result in electric shock, fire and/or serious personal injury.

DIMENSIONS AND FEATURES

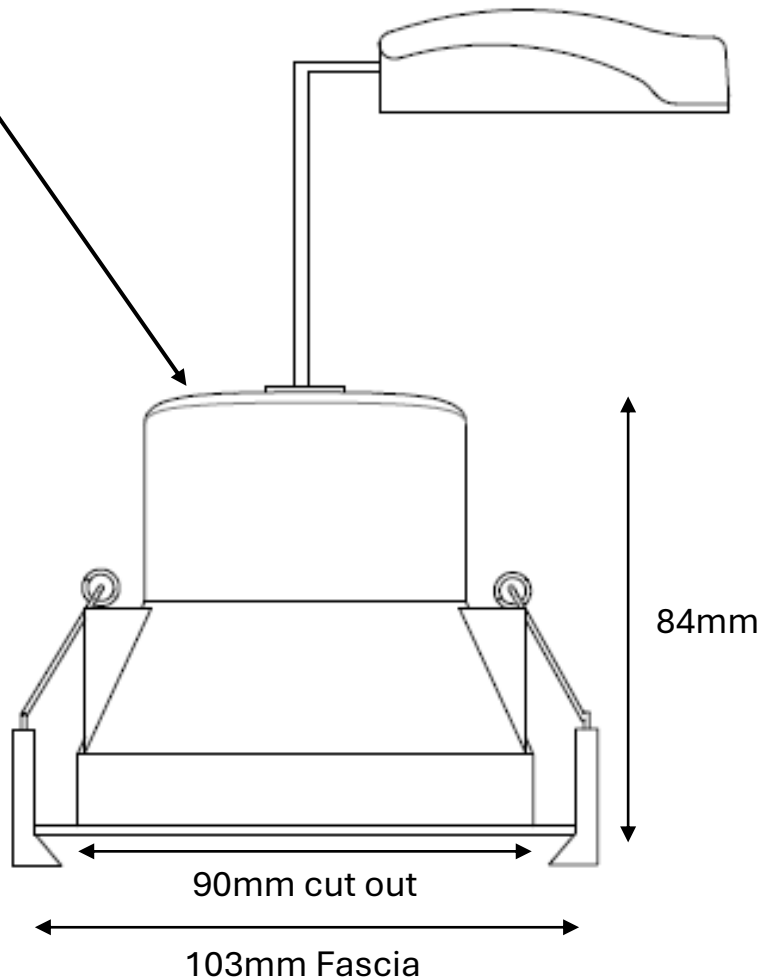
Colour Temperature Switch

Choose between
3000K 4000K & 5000K



Remote Terminal

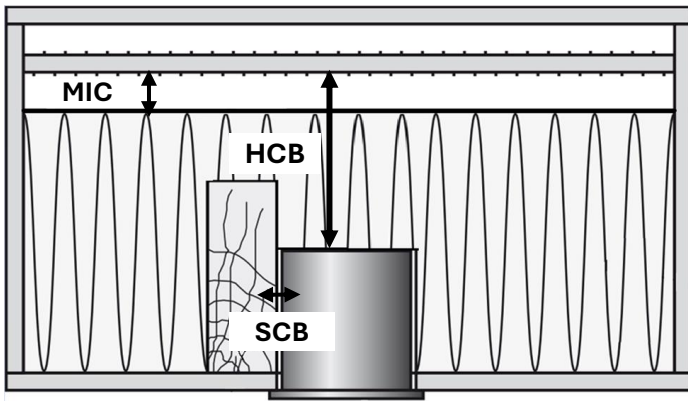
Separate termination
box with Quick
Connect Terminals



BEFORE STARTING, PLEASE NOTE THE FOLLOWING:

- *This product is intended to be fully covered by insulation material.*
- *Insulation material as noted below can abut and cover this luminaire.*
- *This product is suitable for use with building insulation that can safely be continually exposed to temperatures up to 90°C must withstand a 30s needle flame test carried out in accordance with AS/NZS 60695.11.5 with the flame applied to all surfaces of the sample. Glass fibre insulation is a suitable insulation for use abutting and covering this luminaire.*
- *Loose fill insulation as defined in NZS 4246 is not permitted to abut or cover this luminaire.*
- *This product is intended for indoor & covered outdoor use; however, the driver must always be installed indoors.*

INSTALLATION LOCATION



This type of IC-F recessed luminaire can be abutted and covered with thermal building insulation with a minimum temperature rating of 90°C.

BUILDING ELEMENT CLEARANCES FOR RECESSED LUMINAIRES

** Minimum insulation clearance (**MIC**) - from insulation to building element above. See relevant insulation specifications.

** Side clearance to building element (**SCB**) = 0mm.

** Height clearance to building element (**HCB**) = 0mm from top of luminaire to building element above.

Downlights can be installed in timber ceilings and come into contact with normally flammable Building Material. (ie material having ignition temperature of at least 200deg).

CAUTION Recessed luminaires and their auxiliary equipment may pose a risk of fire or damage to property if not installed and maintained correctly.

SAFETY WARNINGS

- Always read the instructions carefully before installation, failure to do this could result in damage to the product, property or harm to the installer.
- This product should be installed by a licensed electrician in accordance with the Australian / New Zealand Wiring Rules AS/NZS 3000.
- Do not immerse any part of the light fitting in water or any other liquids.
- Regularly inspect the light fitting to ensure that no damage has occurred, if damage is found cease use and replace.
- Do NOT attempt to modify this fitting in any way.
- The LED Driver and LED module is not replaceable.
- Do not stare directly into the lights. Prolonged exposure to bright lights could harm your eyes.
- This device should not be used by persons with reduced physical, sensory or mental capabilities or lack of experience and knowledge unless they have been given supervision or instruction concerning use of this appliance in a safe way and understand the hazards involved.
- Keep this product out of reach of children.
- This device is not intended for commercial, industrial or trade use.

INSTALLATION

CAUTION: ISOLATE (TURN OFF) MAINS SUPPLY BEFORE CONNECTING THE DOWNLIGHT.

1. Cut a hole minimum of 90mm in diameter into the ceiling (It is prohibited to cut or Notch Joists, Beams, rafters and Ceiling Battens).
2. Open the remote terminal cover to expose the terminals, you will need a screwdriver to do this
3. Connect the power cable from the mains to the terminals (N, Neutral, Blue), (L, Live, Brown). Ensure that any connection made complies with New Zealand Electrical Wiring rules AS/NZS 3000. Connections should be secure.
4. Close the terminal cover and ensure it is firmly seated over the power input cable. The cover should clamp the supply cable to hold it securely in place, be careful not to over-tighten and damage the supply cable.
5. Lift up springs, hold back and insert luminaire.
6. Ensure that any existing insulation material is in accordance with the specifications.

WATER INGRESS

Preferred location for installation is indoors however, this can be installed in a covered outdoor area, where the fitting is protected from direct exposure to rain and weather. This product must not be exposed to conditions beyond IP44 protection, this includes during cleaning.

CARE AND CLEANING

To clean wipe exterior with a slightly damp cloth.
Do not immerse in water.

DIMMING

This LED down light can be used in conjunction with Universal, Trailing and Leading Dimmers. It is the installers responsibility to ensure that the dimmer selected is compatible with the characteristics of the light.

DISPOSAL

When this fixture is no longer used or required it should be disposed of with household waste. We recommend completing this in the most environmentally friendly way. Please recycle where facilities exist in your local area. Check with your council authority for recycling advice.

Recycling of packaging materials reduces the need for landfill. Please recycle packaging where possible. Check with your local council authority for recycling advice.

PROOF OF PURCHASE

Please retain your purchase receipt for all warranty claims

WARRANTY

Your product is warranted against faults and manufacture when used in normal domestic use for a period of **five years**.

We undertake to replace this product at no charge if found to be defective due to a manufacturing fault during the warranty period. This warranty excludes damage caused by misuse, neglect, shipping accident, incorrect installation, or work carried out by anyone other than a qualified electrical service technician.

If your product fails to operate satisfactorily, please return it to the retailer from whom it was purchased to obtain a replacement product. You will need to produce satisfactory evidence of date of purchase. If the product is to be replaced (cannot be repaired) then that replacement will be of the same or similar product or accessory excluding packaging, instruction card etc.

In New Zealand product is covered by the Consumers Guarantee Act (1993). In accordance with the act consumers are advised that: The manufacturer does not undertake that repair facilities and parts are necessarily available for this product.

In Australia, our goods come with guarantees that cannot be excluded under the Australian Consumer Law. You are entitled to a replacement or refund for a major failure and compensation for any other reasonably foreseeable loss or damage. You are also entitled to have the goods repaired or replaced if the goods fail to be of acceptable quality and the failure does not amount to a major failure.

KEEP IN A SAFE PLACE FOR FUTURE REFERENCE

CDB  GROUP

New Zealand

PO Box 100-707

N.S.M.C

Auckland

Phone +64 (0)9 917 4000

Phone 0800 232 633

info@cdb.co.nz

Australia

PO Box 574

South Morang

Victoria, 3752

Phone +61 (0)3 9336 4423

Phone 1300 465 324

info@cdbgoldair.com.au