

AMBIUS



8W Downlight SPECIFICATION SHEET ADL90SRPC3T Q5071120



LUMINAIRE SPECIFICATION:

Model: ADL90SRPC3T

Power Output: 8 Watt

Lumens: 700-800

Adjustable Colour Temp:

3000K / 4000K / 5000K

Dimmable: Yes

Beam Angle 90 degrees

Cut-out: 75mm

Fascia: Recessed

Material: PC

IP Rating: IP44 parts outside the ceiling

Estimated Lifespan: L80 54,000hrs

Classification IC-F

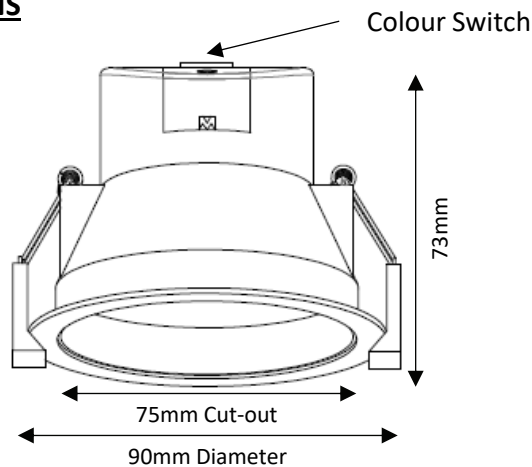
Input Voltage: 220-240Vac ~50/60Hz



Double insulated

Installation Diameter: Not less than 75mm (refer fascia size for maximum coverage for retrofit installations)

DIMENSIONS



PHOTOMETRICS

