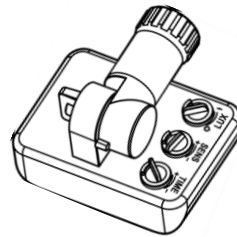
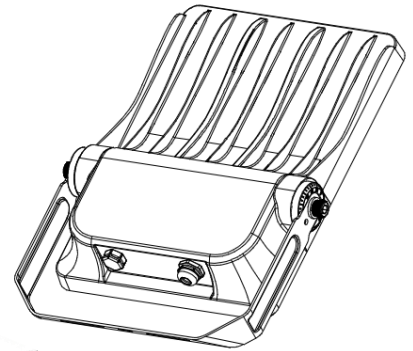


AMBIUS

AFL50PIR
Q5080360



Accessory for
Ambius Floodlight
model AFL50W3T /
Q5080350



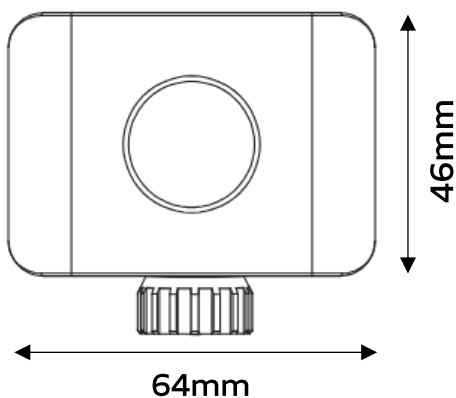
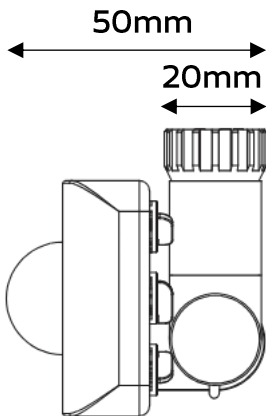
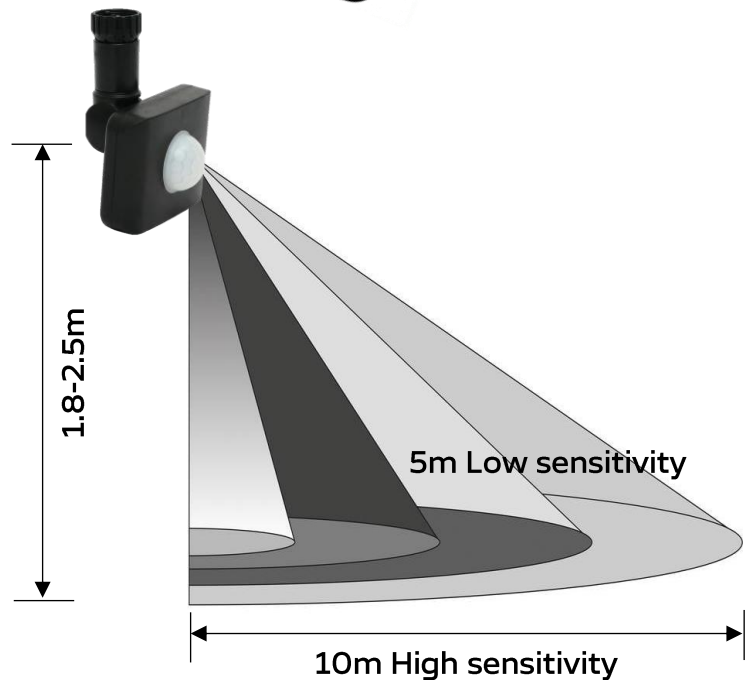
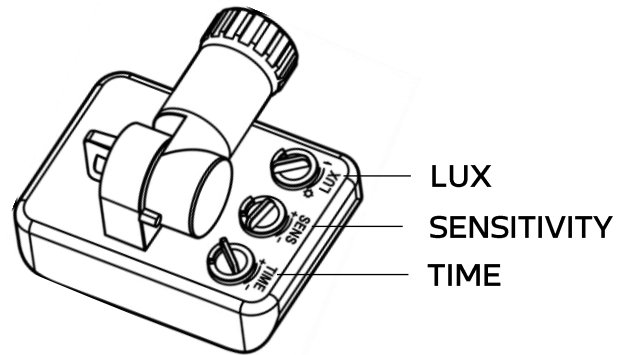
The AMBIUS AFL50PIR is a motion sensor for the AFL50W3T 50/40/30W Flood Light and simply plugs into the base of the floodlight.

Includes Lux, Time and Sensitivity adjustment that provides additional control for the floodlight to enhance security /light requirements in any area.

Specifications

Dimensions	H75 x W64 x D50mm
Rated Load	100W (LED Lamp)
Ambient Light	3-2000 Lux (Adjustable)
Time-Delay	Min: 10sec (+3sec) Max: 7min (+2min)
Detection Range	120 degrees
Working Temperature	-20~ + 40°C
Working Humidity	<93%RH
Installation Height	1.8m-2.5m
Detection Motion Speed	0.6-1.5m/s
Detection Distance	2-10m (<24C)
IP Rating	IP65
Material	PC
Power Input	220-240V ~50/60Hz
Warranty	3 Years

Includes: Lux / Time & Sensitivity adjustment



Good Sensitivity when walking ACROSS the PIR



Poor Sensitivity when walking TOWARD the PIR

