

High Bay 200/150/120W



Specifications:

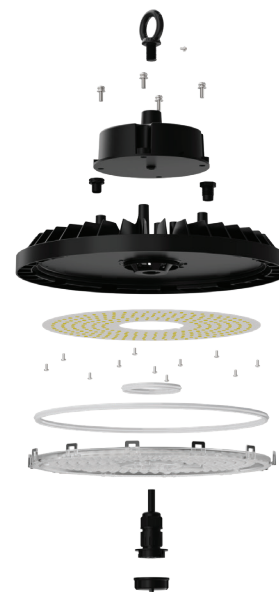
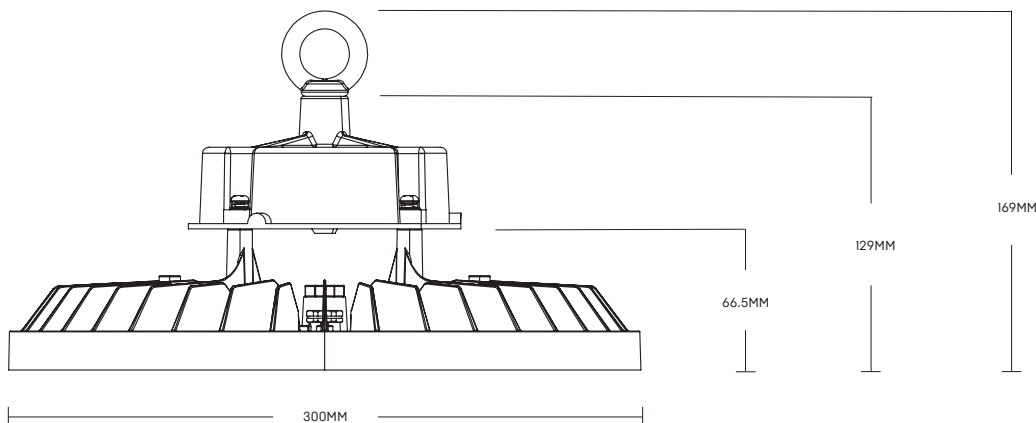
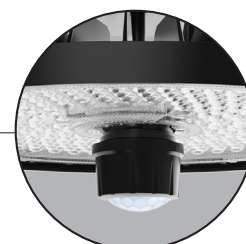
AHB200W2T Q5140020



Power Select & CCT Switch



Optional PIR Accessory



Accessories



Sensor (ZHAGA plug)
Code: AHBPIR



PC Diffuser
Code: AHBDIF



Remote Controller
Code: AHBREM



Mount Bracket
Code: AHBBRK

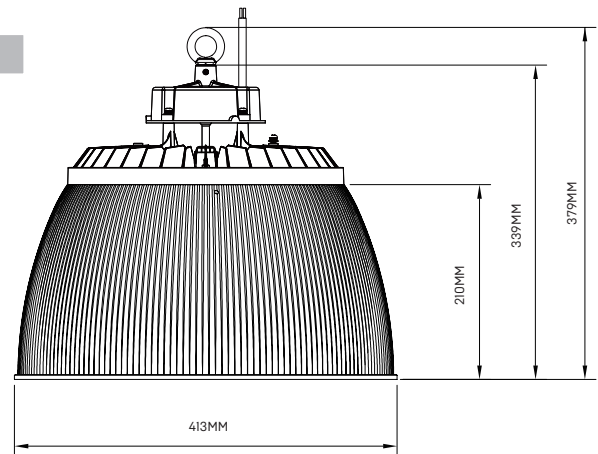
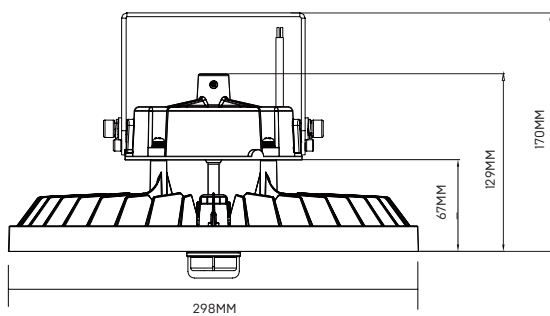
Aux Dimming:

This Highbay is prewired for the connection of a sensor by way of the ZHAGA plug. However we have provided a further AUXILIARY wire to enable this fitting to be directly wired to a dimming control without the requirement of the sensor.

Flicker Free:

This Highbay includes flicker free driver (3% at 100Hz, Pst<1.0, SVM < 4 at full load to avoid stroboscopic effect in rotating machinery)

PC Diffuser



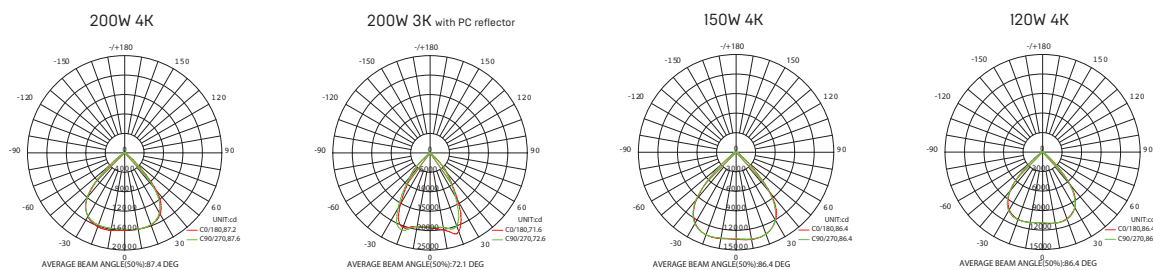
Remote



	Detection Area
	Holdtime
	Standby Dim Level
	Standby Period
	Daylight Threshold
	Brightness

	CCT Selected
AM	AM means "Auto Mode", AM not showing means "manually control mode"
DH_{OFF}	Daylight Harvesting enable d or disable d
S M	"Start" or "Memory" scene parameters
SK-02	Reserved area for the future
HP	Mounting Height

Luminous Intensity Distribution Diagrams



Model	Wattage	Lumens	Efficacy	CCT	CRI	Beam Angle	IP	IK	Dimmable	Estimated Life
AHB200W2T	200/150/120W	30,000/22,500/18,000	150l/w	3/4K	80	90	65	8	Yes 0-10V Via Auxiliary or added sensor accessory & remote	51,000 hours / L90

Model	Warranty	Voltage	Material	Size	Weight
AHB200W2T	5YR	220-240V ~AC 50-60Hz	Aluminium + PC	300(l) x 300(w) x 169(h)mm	2.3