

AMBIUS Installation & Owner Manual

LED MIRROR LIGHT ADJUSTABLE ARM 12W

WHITE / CHROME / BRUSHED

Model: AMIRADJ600W AMIRADJ600CH AMIRADJ600BR

Supply: 220-240VAC 50Hz

Lamp: 12W Integrated LED

Use: Indoor only IP20

Lumens: 800

Safety Warnings

- This product must be installed by a licensed electrician in accordance with the Australian / New Zealand Wiring Rules AS/NZS 3000.
- Do not exceed the maximum recommended lamp wattage and always ensure that the lamp fitting is connected to the correct power supply.
- It is recommended that this product be used on a circuit board protected by an Earth Leakage Circuit Breaker or Safety Switch.
- Allow suitable ventilation around the light fitting and do not cover with any material.
- Do not immerse any part of the light fitting in water or any other liquids.
- Regularly inspect the light fitting to ensure that no damage has occurred, if damage is found cease use and replace.
- Do not attempt to modify this fitting in any way.
- The light source of this luminaire is not replaceable; when the light source reaches its end of life the whole luminaire shall be replaced.

WARRANTY

Your product is warranted against faults and manufacture when used in normal domestic use for a period of one year.

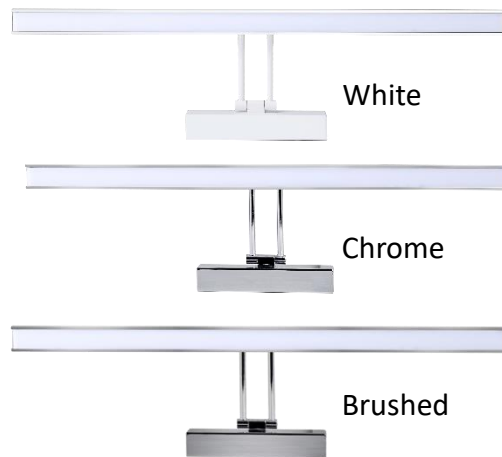
We undertake to replace this product at no charge if found to be defective due to a manufacturing fault during the warranty period. This warranty excludes damage caused by misuse, neglect, shipping accident, incorrect installation, or work carried out by anyone other than a qualified electrical service technician.

If your product fails to operate satisfactorily, please return it to the retailer from whom it was purchased to obtain a repair or replacement product. You will need to produce satisfactory evidence of date of purchase. If the product is to be replaced (cannot be repaired) then that replacement will be of the same or similar product or accessory excluding packaging, instruction card etc.

In New Zealand product is covered by the Consumers Guarantee Act (1993). In accordance with the act consumers are advised that: The manufacturer does not undertake that repair facilities and parts are necessarily available for this product.

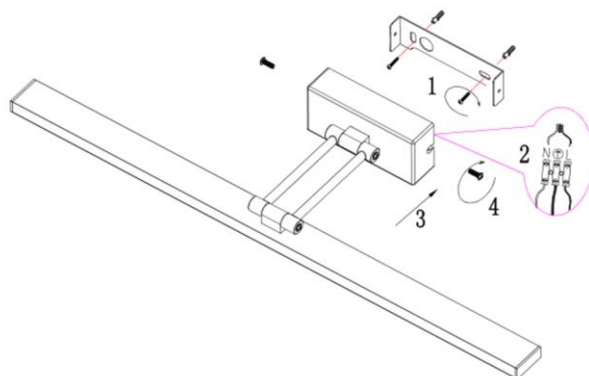
In Australia, our goods come with guarantees that cannot be excluded under the Australian Consumer Law. You are entitled to a replacement or refund for a major failure and

compensation for any other reasonably foreseeable loss or damage. You are also entitled to have the goods repaired or replaced if the goods fail to be of acceptable quality and the failure does not amount to a major failure.



Installation Procedure

- Ensure power to the circuit is isolated for the duration of the installation.
 - Ensure all packaging materials are fully removed prior to installation.
1. Select the appropriate mounting position.
 2. Route the supply cable so that the wiring is able to be connected to the terminal block through the back of the mounting plate / base.
 3. Attached the mounting bracket to the desired location.
 4. Connect the wiring to the terminal block:
 - a) Brown (Active) is connected to the contact marked 'A' or 'L'.
 - b) Blue (Neutral) is connected to the contact marked 'N'
 5. Adjust the mirror arm to the desired angle.
 6. Energise the circuit at the mains then turn the individual switch 'ON'.
 7. Your light fitting should now operate.



CDB GROUP

New Zealand
PO Box 100-707
N.S.M.C
Auckland

Australia
PO Box 574
South Morang
Victoria, 3752

Phone +64 (0)9 917 4000
Phone 0800 232 633
info@cdb.co.nz

Phone +61 (0)3 9336 4423
Phone 1300 465 324
info@cdbgoldair.com.au