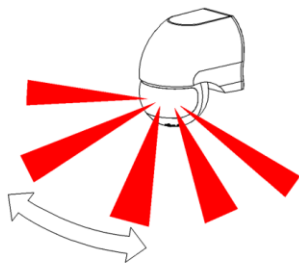


AMBIUS SENSOR RANGE

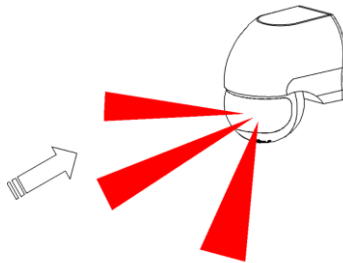
SPECIFICATION SHEET

Product Code: ASECPIRWALL

Pronto Code: Q5080940



Good sensitivity



Poor sensitivity

TECHNICAL SPECIFICATIONS

- 220-240V 50/60Hz
- 1000W Max.
- IP44
- 180° Detection range, 12m detection distance.
- Time adjustment: 10sec 7min
- Manual Override Function
- 1-Year warranty

INSTALLATION:

For Wall mount:

- Screw Base to the wall facing the direction you desire.
- Attach quick connect wire figure and then clip sensor to the base and screw it on tightly.



Detection Range

Detection Range maximum of 12m.



Detection Angle

Detection angle of 180 degrees from point of sensor application.



Ingress Protection

Rated IP20, allowing for installation in an indoor area.



Lux Adjustment

Ambient light: 10-2000LUX which is adjustable. Use Sun and LUX dials to choose sensor options.

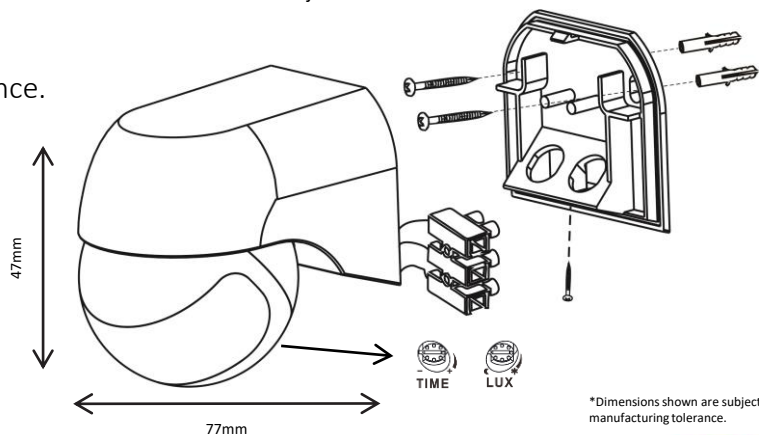


Rated load:
2000W Max. (incandescent lamp) &
1000W Max. (energy-saving lamp).



Time adjustment:
Min: 10sec±3sec
Max: 7min±2min

Time On Adjustment



*Dimensions shown are subject to manufacturing tolerance.

Distributed by:

CDB

GROUP

PO Box 100-707
North Shore Mail Centre
Auckland

Manufactured to Ambius Lighting's specifications in the PRC.