

# Installation & Owner Manual

## GU10 Spot Lights

# AMBIUS

### Product & Technical Information

Model	Input	Power	Lamp Base
ASLED31	220-240V~	10W Max	GU10
ASLED32	220-240V~	2x10W Max	GU10
ASLED33	220-240V~	3x10W Max	GU10
ASLED34	220-240V~	4x10W Max	GU10
ASLED34P	220-240V~	4x10W Max	GU10
ASLED41	220-240V~	10W Max	GU10
ASLED42	220-240V~	2x10W Max	GU10
ASLED43	220-240V~	3x10W Max	GU10
ASLED44	220-240V~	4x10W Max	GU10
ASLED44P	220-240V~	4x10W Max	GU10

**Use:** Indoor

**Operating Position:** Rigid Vertical or Horizontal surface

### Safety Warnings

- Always read the instructions carefully before installation, failure to do this could result in damage to the product, property or harm to the installer.
- This product must be installed by a licensed electrician in accordance with the Australian / New Zealand Wiring Rules AS/NZS 3000.
- It is recommended that this product be used on a circuit board protected by an Earth Leakage Circuit Breaker or Safety Switch.
- Allow suitable ventilation around the light fitting and do not cover with any material.
- Do not immerse any part of the light fitting in water or any other liquids.
- Regularly inspect the light fitting to ensure that no damage has occurred, if damage is found cease use and replace.
- Do not attempt to modify this fitting in any way.

### Care and Cleaning

- To clean wipe exterior with a damp cloth.

### Proof of Purchase

- Please retain your purchase receipt for all warranty claims

### Installation Procedure

- Ensure power to the circuit is isolated for the duration of the installation.
  - Ensure all packaging materials are fully removed prior to installation.
1. Select the appropriate mounting position.
  2. Route the supply cable so that the wiring is able to connect at the back of the mounting bracket to the terminal block.
  3. Remove the mounting bracket by loosening the screws on either side.
  4. Use the mounting bracket as a template to mark the appropriate mounting holes. Once done fit the mounting plate to the surface accordingly.

5. Connect the wiring to the terminal block:
  - a) Green/Yellow (Earth) is connected to the screw on the base marked with  $\oplus$  . This wire should be 10mm longer than the active and neutral conductors so that it would be the last to disengage should a force be applied.
  - b) Brown (Active) is connected to the contact marked 'A' or 'L'.
  - c) Blue (Neutral) is connected to the contact marked 'N'
  - d) The luminaire is a class 1 appliance, and therefore must be earthed
6. Attach the lamp body to the mounting bracket and secure using the screws supplied.
7. Insert lamps into each spot light and screw the lamp shade back on tightly.
8. Energise the circuit at the mains then turn the individual switch 'ON'.
9. Your spotlight fitting should now operate.

### Warranty

Your product is warranted against faults and manufacture when used in normal domestic use for a period of one year.

We undertake to replace this product at no charge if found to be defective due to a manufacturing fault during the warranty period. This warranty excludes damage caused by misuse, neglect, shipping accident, incorrect installation, or work carried out by anyone other than a qualified electrical service technician.

If your product fails to operate satisfactorily, please return it to the retailer from whom it was purchased to obtain a repair or replacement product. You will need to produce satisfactory evidence of date of purchase. If the product is to be replaced (cannot be repaired) then that replacement will be of the same or similar product or accessory excluding packaging, instruction card etc.

In New Zealand product is covered by the Consumers Guarantee Act (1993). In accordance with the act consumers are advised that: The manufacturer does not undertake that repair facilities and parts are necessarily available for this product.

In Australia, our goods come with guarantees that cannot be excluded under the Australian Consumer Law. You are entitled to a replacement or refund for a major failure and compensation for any other reasonably foreseeable loss or damage. You are also entitled to have the goods repaired or replaced if the goods fail to be of acceptable quality and the failure does not amount to a major failure.

**New Zealand**  
PO Box 100-707  
N.S.M.C  
Auckland

Phone +64 (0)9 917 4000  
Phone 0800 232 633  
info@cdb.co.nz

**Australia**  
PO Box 574  
South Morang  
Victoria, 3752

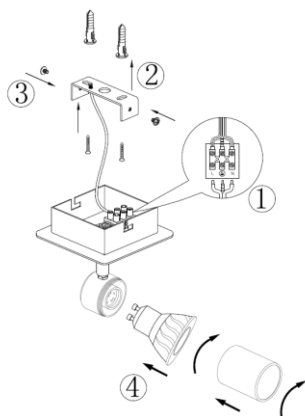
Phone +61 (0)3 9336 4423  
Phone 1300 465 324  
info@cdbgoldair.com.au

# Installation & Owner Manual

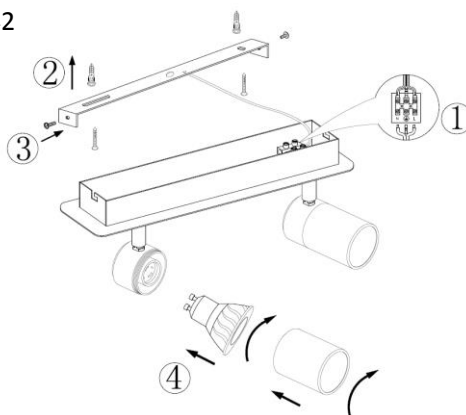
## GU10 Spot Lights

# AMBIUS

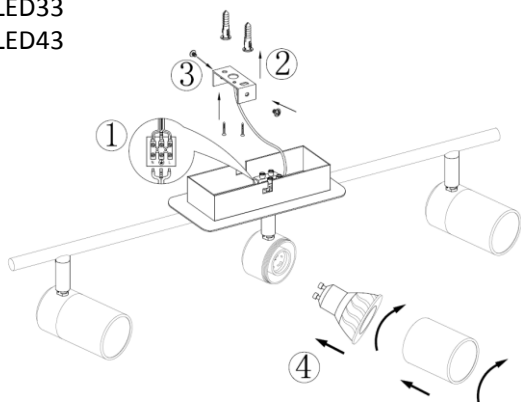
ASLED31  
ASLED41



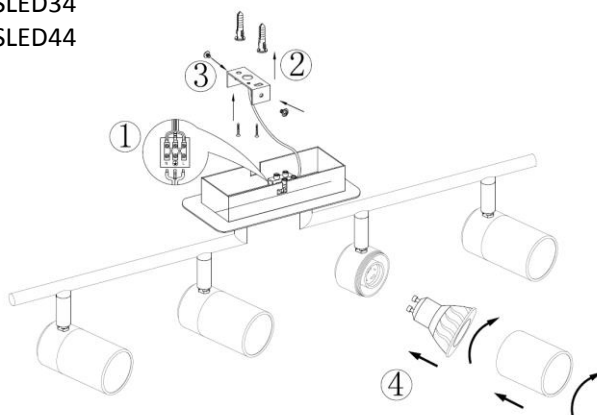
ASLED32  
ASLED42



ASLED33  
ASLED43



ASLED34  
ASLED44



ASLED34P  
ASLED44P

