

### INSTALLATION EXAMPLES

- 1) Lights A,B,C on same circuit.
- 2) Light D is on separate circuit

### Set up options

#### **Individual sensor mode:**

Each light will come on individually as it sense's movement.

#### **Lights linked**

Lights A,B,C linked – when any movement at any of the lights is triggered ALL lights will come on.

#### **Multiple Circuits.**

ANY light that is paired including those on another circuit (within 20m) can operate as per linked lights.

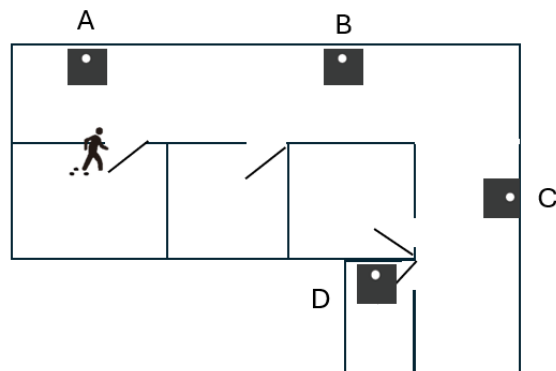
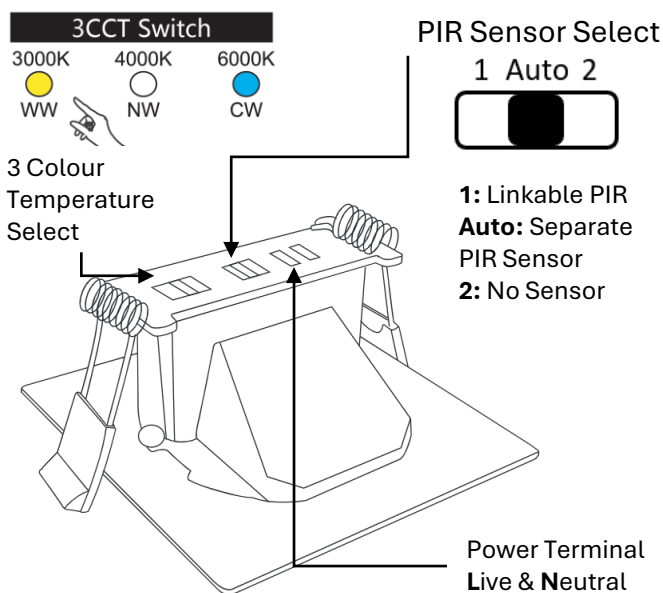
Example (Fig 1.) Light D can be paired with any/all the lights A,B,C so that it comes on when any are triggered & vice versa.

### FUNCTIONALITY

This product can be either in Manual or sensor mode. These lights can also be grouped together by following the steps shown in the Instruction Manual.

Note:

- Lights on different power circuits can also be linked if the paring process is followed.
- All product should be supplied preset in sensor mode.



### Operation and Set Up

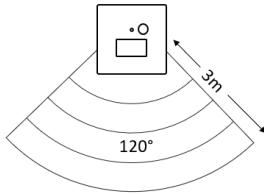
Refer to videos and instruction Manual Located on [www.ambiuslighting.co.nz](http://www.ambiuslighting.co.nz)

### PHOTOCELL

Each Light has its own photocell. This means that if the lux is below  $< 20\text{Lux}$  the light will operate. If above it will not UNLESS in Manual mode. Each light's photocell works independently even when in a group.

### PIR SENSOR MODE

When Movement by someone or a pet is detected, the light will turn on automatically. After 15sec the light will turn off



### LUMINAIRE SPECIFICATIONS:

Group Link-able

PIR Sensor with Override feature

**Wattage:** 1.9W

**Max Lumens:** 100 Lumens

**Colour Temperature:** 3K, 4K, 6K

**Beam Angle:**  $38^\circ$

**Ingress Protection:** IP20

**CRI:**  $>80$

**Lifetime:** LM70  $>54,000\text{hrs}$

**Cut Out:** 65mm (H) x 75mm (W)

Integrated LED

**Double Insulated**

**Voltage:** 220-240V  $\sim 50\text{Hz}$

2.4Ghz Wireless, Flexible grouping

**Use:** Indoor (Permanent use)

Both Magnetic Fascia, Oval and Rectangular are Included

### SENSOR

Detection Angle: 120 degrees

Detection Distance: 3m

Daylight Sensor  $<20\text{ Lux}$

Standalone PIR

Manual Override

### LINKED PIR

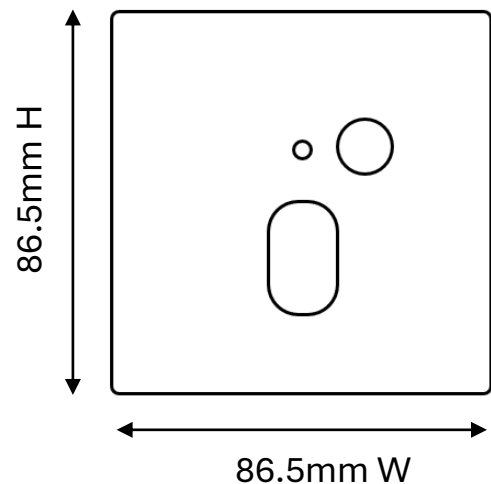
Max 20m Paired Distance

Multiple grouping options

Pair unlimited devices

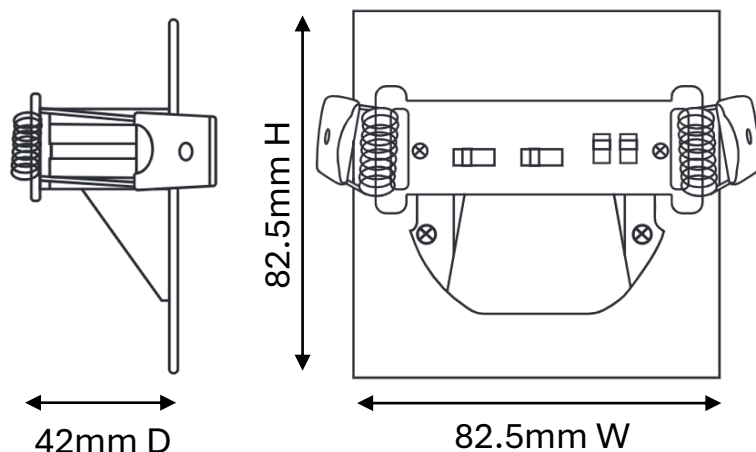
### DIMENSIONS

#### FASCIA



86.5mm W

#### BASE



82.5mm H

82.5mm W

42mm D